

Best Solution for Every Drilling Job.

D&B Drill rigs & Products

RC Drill



Diamond core Drill



HDD Drill



Rock Drill



Truck mounted type



Air Compressor



Water Powered Hammer



Sonic Drill



Geothermal Drill



Double Compressor



Rod Carrier



RC/ DTH hammer & bit
RC/Diamond pipe(Drill rod)



HANJIN D&B
Drilling Equipments Co., Ltd.

Distributed by

- 49, Hanamsandan 10-Ro, Gwangsan-Gu, Gwangju, Republic of Korea
- TEL_ +82-62-953-4525 • FAX_ +82-62-953-4520
- E-mail_ mail@hanjindnb.com
- Website_ www.hanjindnb.com



Hydraulic Duplex Mud Pump

Main Application

- Geothermal drilling
- Diamond drilling
- Water well drilling



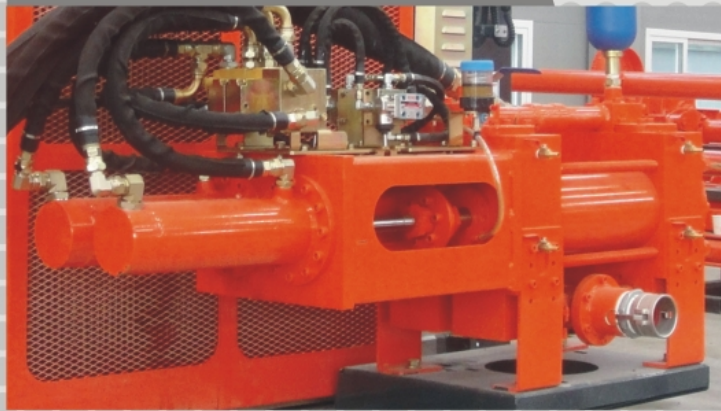
www.hanjindnb.com

Why D&B Mud Pump for rotary drilling?

- **Powerful drive**
Full hydraulic drive system(Hydraulic cylinder acting type)
- **Maintenance**
Easy & Economical solution, Strong & Long life-time.
- **Volume control**
Variable mud output control.
- **Application**
Geothermal drilling, Diamond core, Rotary,Piling,Reverse circulation, Deep hole drilling,etc.
- **Top Quality**
2000 sets sold to a worldwide market in the last 24 years.
- **Design**
Compact size & Easily mounted to all type's of Drill Rig.

Site Application

Mud drilling/D&B-800MP(800ℓ/min)



Diamond core drilling/D&B-300MP(300ℓ/min)



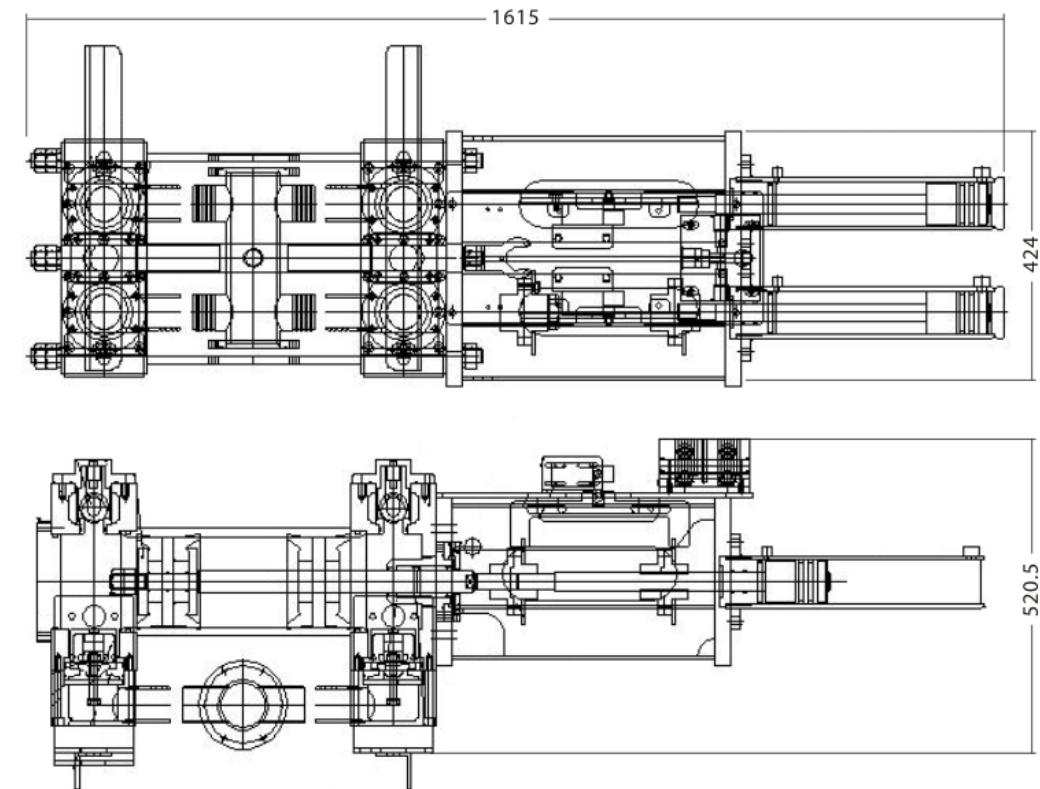
Diamond core drilling/D&B-1200MP(1200ℓ/min)



Deep hole drilling/D&B-1500MP(1500ℓ/min)



D&B-800MP Dimension



Technical Data Specification

		D&B-300MP	D&B-300MP(H)	D&B-800MP	D&B-800MP(H)	D&B-1200MP	D&B-1200MP(H)	D&B-1500MP	D&B-1500MP(H)
Ratio		3:1	3:1	7:1	3:1	7:1	5:1	7:1	5:1
Pump / Model		Low/P	High/P	Low/P	High/P	Low/P	High/P	Low/P	High/P
Max. pressure(mud&water)	kgf/cm ²	30kgf/cm ²	70kgf/cm ²	30kgf/cm ²	70kgf/cm ²	30kgf/cm ²	70kgf/cm ²	30kgf/cm ²	70kgf/cm ²
Max. capacity(flow of water)	l/min	300	300	800	800	1200	1200	1500	1500
stroke	No./min	55	55	46	35	48	38	56	40
Piston Dia	mm/inch	100		150		175		200	
Piston stroke	mm/inch	175		250		300		300	
Suction Dia	mm/inch	2"		2"		2" 1/2		3"	
Discharge	mm/inch	1 1/4"		1 1/2"		2"		2"	
DIMENSIONS & WEIGHT									
OA length	mm/inch	1225		1615		1920		1920	
OA width	mm/inch	330		425		590		590	
OA height	mm/inch	550		600		920		920	
Net Weight(without Powerpack)	Kg	300		480		950		950	
Hydraulic									
Hyd.Flow	l/min	120	120	120	220	220	300	220	300
Hyd. Pressure	Bar/Kg.cm ²	100	210	210	210	210	210	210	210
Option(Power Pack)									
Engine Type									
Model(disel engine)		A2400	D4DD	D4DD	DL08	DL08	DL08	DL08	DL08
Maker		KUKJE	HYUNDAI	HYUNDAI	DAEWOO	DAEWOO	DAEWOO	DAEWOO	DAEWOO
Power(1800rpm)	Kw/HP	34/46	60/80	60/80	115/154	115/154	190/260	115/154	190/260
Fuel Tank	l	100	150	150	300	300	300	300	300
Cooling system		Water	Water	Water	Water	Water	Water	Water	Water
Engine Type									
Power	Kw	35	65	65	115	115	150	115	150

*This technical specifications are subject to modifications without prior notice incurring responsibility for pumps previously sold. D&B always try to improve its products to meet customer's requirements.